

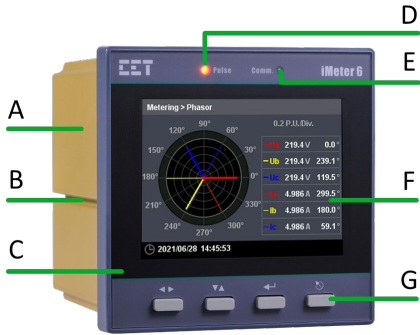
# iMeter 6 Quick Start Guide

Version 1.1

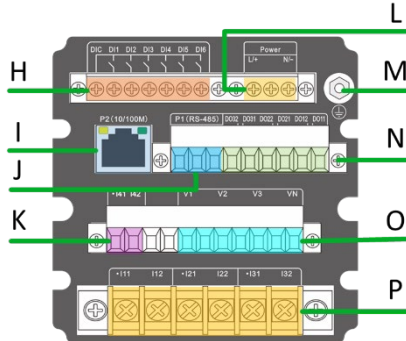
## Package Contents

- iMeter 6 with all mounting slide bars and plug-in connectors installed
- Factory Test Report
- CD with iMeter 6 User Manual
- Quick Start Guide (this document)

## Meter Overview



Front View



Rear View – 6xDI, 3xDO, I4, RS-485 and 10/100BaseT

**iMeter 6**

Model: iMeter 6-B5925AXDE  
 Power Supply: 95-277V L-N/415V L-L AC, 45-65Hz, 95-300V DC, 6W/10VA, OVC III  
 Voltage Inputs: 400V 3~L-N, 690V 3~L-L, CAT III  
 Current Inputs: 5A  
 I4 Input: 5A  
 Frequency: 42Hz-69Hz  
 MAC: 00-00-00-00-00-00

18011103096

ROHS CE ENEC

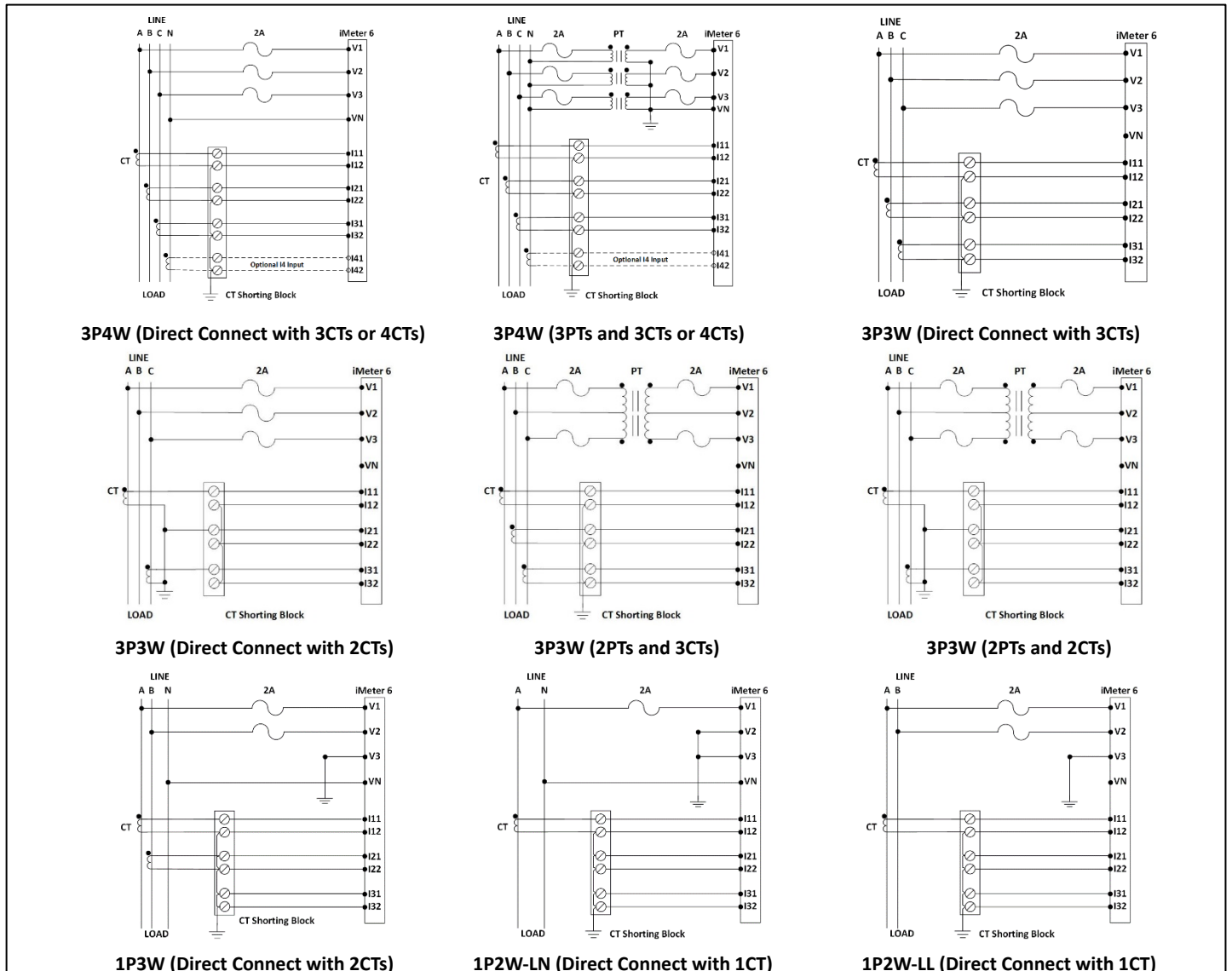
Installation and maintenance should only be performed by qualified and competent personnel who have been properly trained to handle high voltage and current devices in accordance with local and national electrical codes.

Hazardous voltage can cause electric shock, burn or explosion. Disconnect and lockout power source, open all PT secondaries and short all CT secondaries before servicing. Failure to observe proper precaution may result in serious injury or death.

Serial Number and Warning Label

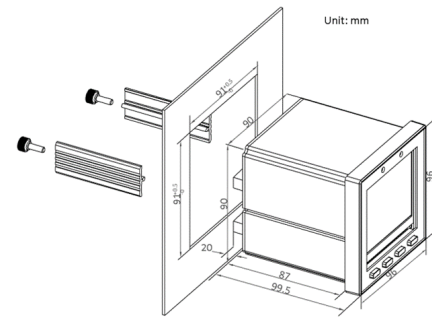
<b>A</b>	Enclosure	<b>G</b>	Buttons	<b>M</b>	Ground terminal
<b>B</b>	Mounting Slide Bar	<b>H</b>	DI terminals	<b>N</b>	DO terminals
<b>C</b>	Front Panel	<b>I</b>	10/100BaseT Ethernet Port	<b>O</b>	Voltage Input terminals
<b>D</b>	kWh/kvarh LED Pulse Output	<b>J</b>	RS-485 terminals	<b>P</b>	Current Input terminals
<b>E</b>	Communication Indicator	<b>K</b>	I4 or AI terminals		
<b>F</b>	IPS Color LCD	<b>L</b>	Power Supply terminals		

## Wiring Diagrams



## Mounting the Meter

- Remove the mounting slide bars from the meter
- Fit the meter through a 92mmx92mm cutout
- Re-install the mounting slide bars and tighten the screws against the panel to secure the meter



## Using the Front Panel Buttons

The Front Panel Display allows users to view the measurements and perform basic configuration. There are five options in the Main Menu, which are <Metering>, <Power Quality>, <PQ Insight>, <Events>, and <Setup>. Each option includes multiple sub-menus for Measurements, Events or Setup Parameters. The following table provides an overview of the Front Panel Buttons under different menus. **The default password is 000001.**

Menus	◀▶	▼▲	←	↻
<b>Main Menu</b>	Scrolls to the next option in the Main Menu	Navigates around sub-menus in a particular Main Menu	Enters the selected sub-menu	N/A
<Metering> and <Power Quality>	Scrolls to the next <b>Tab</b> at the top of the page, if available, for the display of different groups of measurements	Scrolls to the next page of measurements, if available, in the present sub-menu	When inside <b>Power Quality / Harmonics</b> sub-menu, it switches between <b>Harmonic Spectrum, THD/TDD/CF/KF and Individual Harmonics</b>	Returns to the <b>Main Menu</b>
<PQ Insight>	Pressing this button shifts the cursor left/right in the same row when inside the <b>Selection</b> mode	Pressing this button shifts the cursor up/down in the same column when inside the <b>Selection</b> mode	Depending on the present location, pressing this button may enter the <b>Selection</b> mode, toggles a channel for Waveform Display or switches between <b>Refresh and Pause</b> for Real-Time Waveform update	Depending on the present location, pressing ↻ may exit from the <b>Selection</b> mode or return to the <b>Main Menu</b>
<Events>	Scrolls to the next Events page in a circular manner	Once inside the <b>Selection</b> mode, pressing this button moves the cursor one position down to highlight the next event in the page	- Pressing <←→> enters the <b>Selection</b> mode - Pressing <←→> at the highlighted event displays the event details in a pop-up window, if available	Depending on the present location, pressing ↻ may exit from the event details window, exit from the <b>Selection</b> mode, or return to the Main Menu
<Setup>	- Scrolls to the next <b>Tab</b> at the top of the page, if available. - Shifts the highlighted cursor left/right between the setup parameters in the same row - Shifts the cursor to the left by one position if the parameter selected for modification is a numeric value	- Shift the cursor up/down the parameter list in a setup page before a parameter is selected - Increment the selected digit of a numeric value or advance to the next enumerated item in the selection list when a parameter is selected for modification	- Depending on the present location, pressing <←→> may enter a sub-menu, a setup page, select a setup parameter for modification or save the current parameter value. - A password is required when entering a setup page for the first time	- Depending on the present location, pressing ↻ may exit from parameter modification without saving the change, exit a setup page or return to the Main Menu. - A pop-up window may appear for confirmation to save the parameter changes when exiting a setup page.

## Basic Setup Parameters

Menu in <Setup>	Parameters	Description	Options/Range	Default
Password	Password	Enter Password	The password digits cannot be identical or sequential.	"000001"
Basic > Wiring	Mode	The Wiring Connection of the meter	3P4W/3P3W/DEMO/1P2W-LN/1P2W-LL/1P3W	3P4W
Basic > PT/CT	Ull Nom.	Secondary Ull Nominal	100 to 700 (V)	415
Basic > PT/CT	Freq. Nom.	Nominal Frequency	50Hz/60Hz	50Hz
Basic > PT/CT	PT Prim.	PT Primary Value	1 to 1,000,000 (V)	100
Basic > PT/CT	PT Sec.	PT Secondary Value	1 to 1,500 (V)	100
Basic > PT/CT	CT Prim.	CT Primary Value	1 to 30,000 (A)	5
Basic > PT/CT	CT Sec.	CT Secondary Value	1 to 50 (A)	5
Comm. > P1	Protocol	RS-485 Port Protocol	MODBUS, EtherGate, MB Master	MODBUS
Comm. > P1	Unit ID	RS-485 Port Modbus Address	1-247	100
Comm. > P1	Baud Rate	Data rate in bits per second	1200/2400/4800/9600/19200/38400bps	9600
Comm. > P1	Data Format	RS-485 Port Data Format	8N2/8O1/8E1/8N1/8O2/8E2	8E1
Comm. > P2	Enable	Enable/Disable Ethernet Port	Yes/No	Yes
Comm. > P2	IP Address	Ethernet Port IP Address	-	192.168.0.100
Comm. > P2	Sub. Mask	Ethernet Port Subnet Mask	-	255.255.255.0
Comm. > P2	Gateway	Ethernet Port Gateway Address	-	192.168.0.1
Advanced	BACnet/IP Enable	Enable/Disable BACnet/IP	Yes/No	No
Advanced	BACnet/IP Dev. ID	BACnet/IP Object Identifier	0 to 4194303	26001
Advanced	BACnet/IP Port	BACnet/IP UDP Port	1 to 65535	47808